

LEVO Stands for a better quality of life

LEVO C³

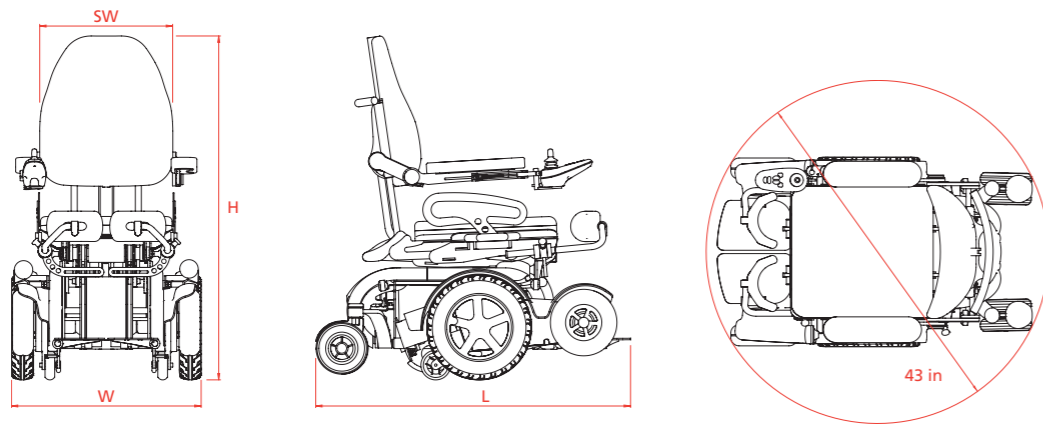
LEVO C³

Another innovative design from LEVO – combining world renowned standing functions with a unique auto adjustable traction power base

LEVO C³

Highlights

- User-friendly, simple handling
- Maximum safety in all positions
- Compact manoeuvrability for tight spaces (turning circle 43 in)
- Small dimension, compact transport volume
- High battery capacity: range up to 15.5 miles, optional up to 21.7 miles
- Individually and manually adjustable for upper and lower leg, foot position and back angle
- Seat width 12.6 up to 20.5 in
- User weight up to 310 lb
- Easy accessibility for maintenance and service updates



Technical Data

Model	S – XL
Seat width (SW)	12.6/14.2/15.7/17.3/18.9/20.5
Total width (W)	24.8
Total length (L)	41.3
Total height (incl. V-Trak 16.1 in) (H)	39.4
Seat height (w/o seat cushion)	18.1
Seat plate depth	13.8–24.8
Arm rest height	5.9–14.1
Turning circle	43
Speed	3.7/5/6.2 mph
Range (with 55Ah Batteries)	15.5 miles
Manageable gradient	15° (33%)
Max. kerb height	4
Max. chair weight	407 lb
Max. user weight	310 lb
Transport volume max.	37.8 x 24.8 x 27.1

All measurements in inches and pounds. Discrepancies in the measurements may arise due to wheelchair modifications.

Standard configuration
E/E Wheelchair with 4 active wheels and 'Low shearing system', seat support plate, quick release for seat depth, lower leg length and back angle, seat height 18.1 in, V-Trak Axxis back, flip-up armrests (adjustable for height, angle and width), VR2 control system of PG-Drives Technology with 55 Ah batteries, flip-up footrest to the side and backwards with non slip surface, knee support removable (adjustable in height, depth, angle and width), vehicle tie-down locations

Options/Accessories
Knee support integrated; Tilt in Space 0-35°; Swing away joystick; Foam cushion with cover; swing away table tray, upper leg support; chest roll; lights and indicators . . . many more on request

Colours
4 standard colours (blue, red, yellow, black) and 190 other colour options



Gerald Simonds Healthcare Ltd. 9 March Place, Gatehouse Way, Aylesbury, Bucks HP19 8UA
Freephone: 0800 220975 Fax: 01296 380279 email: info@gerald-simonds.co.uk
www.gerald-simonds.co.uk



LEVO stands for a better quality of life

LEVO.dt⁺
THE EXPERTS IN STANDING

At eye level with life

LEVO C³

This is LEVO: The touch of a switch elevates you to a safe, comfortable standing position to interact with your active life. At work, in school or at home, LEVO standing wheelchairs, offer exactly what you need: Independence, Mobility, Support, Health and Quality.

Each wheelchair is designed with the experience of more than 30 years of research, development and client response. LEVO is proud to offer wheelchairs that combine seating and standing positions matched to your unique biomechanical dynamics with superior manoeuvrability, size, weight, aesthetics and adjustability.

All models are reviewed and certified by internationally approved testing institutes.

Active, traction, innovative – quality

The powered LEVO C³ is compact, agile, easy to handle and extremely powerful – perfect for active people on the move. Kerbs part of your daily commute? No problem with the LEVO C³ drive system that turns a manoeuvrable mid-wheel base into a powerful, climbing 4 wheel drive action base. For classroom, work or home, you also have the tight turning radius and agile manoeuvrability of a mid-wheel base. The LEVO C³ incorporates a new generation advancement in the famous LEVO low shearing standing systems. Incredibly smooth transition to standing including the automatic wheel base adjustment. Now you have a front wheel drive base for unparalleled driving stability and response in the standing position. The latest innovation from LEVO, the experts in standing!



Power base

- 4WD: four powered wheels for superior traction and agility
- Crawls over kerbs up to 4 in
- Climbs ramps easily up to 15°/33%
- Off road/rough surface traction capability
- Multiple programming options for maximum choice
- Solid, secure and safe brake action

Seating / Standing

- Automatic lengthening/matching the extension of the back and legs during transition to standing and seating. 'Low shearing system'
- Engineered chairs and biomechanics in all seating and standing positions
- Low seat height for transfer and driving under tables
- Easy adjustment to individual body measurements
- Numerous health benefits due to more frequent standing

Power over kerbs with the innovative LEVO C³

